

Inquiry    Order for drive shaft  
 Express-delivery

Fax to ELSO:  
+49 (0) 95 23 / 6377

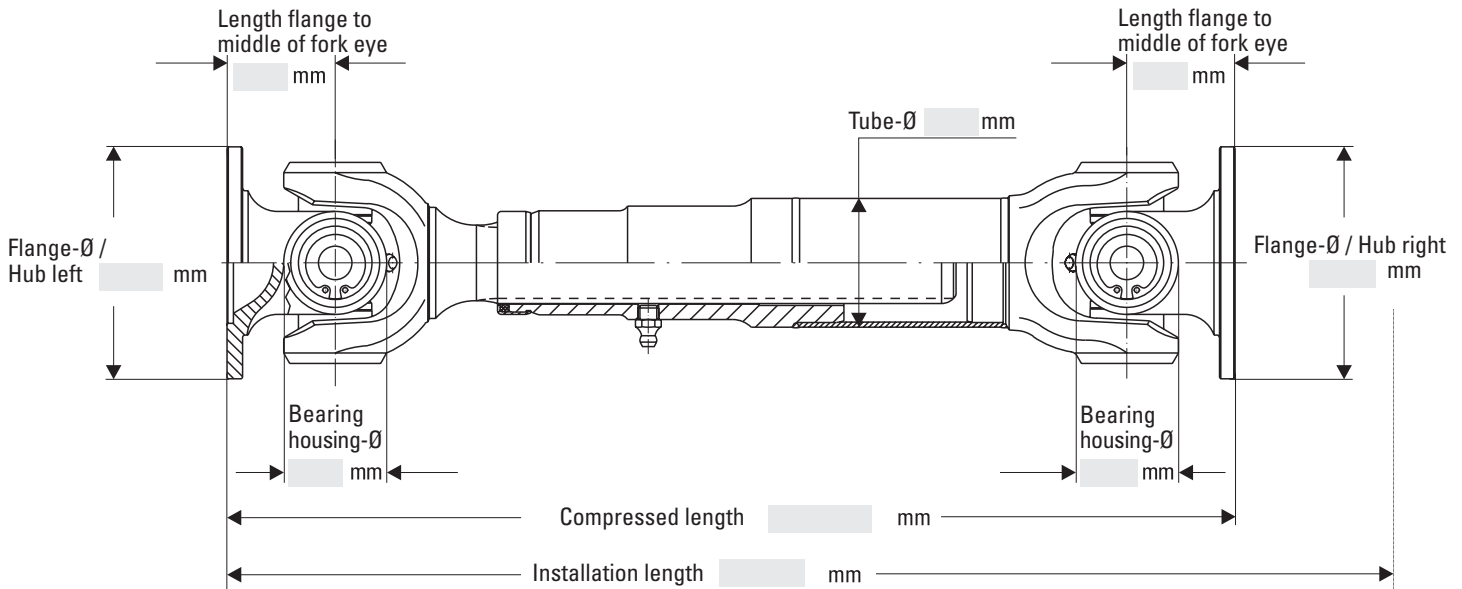
**Please indicate the measurements of the drive shaft and mark the needed connection. We will make a costfree quotation.**

Please indicate if you know the Elbe-Item-no., item no. of the competitor or original-no. of the manufacturer of the vehicle or machine.

Nr.: \_\_\_\_\_  
Name Hersteller: \_\_\_\_\_

Mark/Address  
\_\_\_\_\_  
\_\_\_\_\_  
\_\_\_\_\_

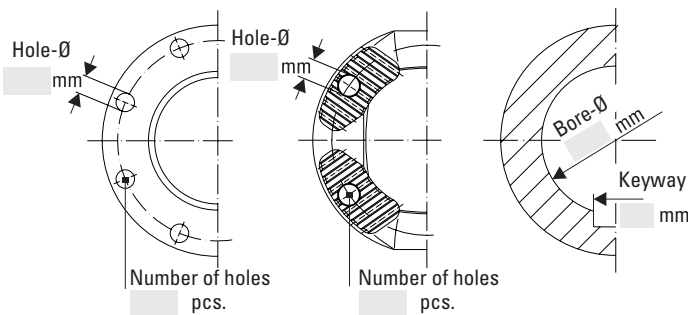
Contact: \_\_\_\_\_  
E-Mail: \_\_\_\_\_  
Phone: \_\_\_\_\_  
Fax: \_\_\_\_\_



**Grease nipple:**  On cross body    On bearing housing (= external lubrication)    On extension

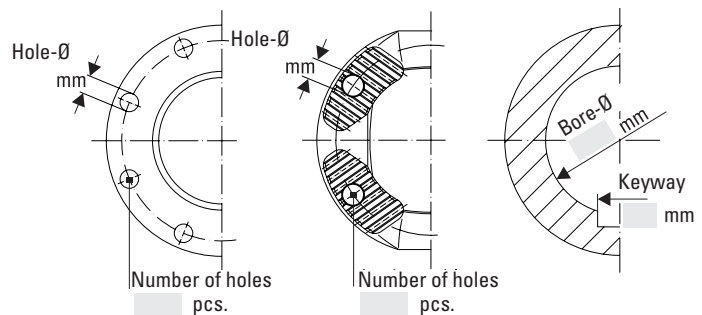
**Connection left**

- DIN-Flange    Flange cross serrated    Hub



**Connection right**

- DIN-Flange    Flange cross serrated    Hub



**Quantity / Application**

Quantity: \_\_\_\_\_ pcs

Betriebsdrehzahl: \_\_\_\_\_ n (Upm)

Application/Vehicle: \_\_\_\_\_

Distribution partner of the Elbe-Group:



The companies of the Elbe-Group